

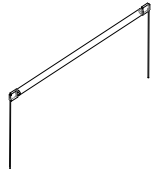

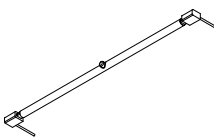

CHAMBER IR E4

Heater Length	Lamp Model (P/N)	Orientation	Quartz Envelope	Rated Watt	Rated Voltage	Average Life (Hr)	Description Reference
2 inch	057550-002	Universal	Clear	500	120	5000	B
2 inch	057550-003	Universal	Clear	1000	120	5000	B
5 inch	057541-001	Universal	Clear	500	120	5000	A
6 inch	057550-004	Universal	Clear	1500	240	5000	B
10 inch	057544-002	Universal	Clear	1000	240	5000	A
10 inch	057544-005	Universal	Clear	2000	240	5000	A
16 inch	057541-004	Horizontal	Clear	1600	240	5000	A
16 inch	057541-008	Horizontal	Clear	3000	240	5000	A
16 inch	094312-001	Universal	EZ Eye	3000	240	5000	A
25 inch	057549-001	Universal	Clear	2500	480	5000	A
25 inch	057544-008	Horizontal	Clear	5000	600	5000	A
38 inch	057549-006	Universal	Clear	3800	420	5000	A
38 inch	057549-002	Universal	Clear	3800	570	5000	A

CHAMBER IR 4069

Heater Length	Lamp Model (P/N)	Orientation	Quartz Envelope	Rated Watt	Rated Voltage	Average Life (Hr)	Ref.
10 inch	103390-003	Universal	Clear	1000	240	5000	C
10 inch	103390-004	Universal	Clear	2000	240	5000	C
16 inch	103390-005	Universal	Clear	1600	240	5000	C
16 inch	103390-012	Universal	Clear	3000	240	5000	C
25 inch	103390-007	Universal	Clear	2500	480	5000	C
38 inch	103390-010	Universal	Clear	3800	480	5000	C

LAMP DESCRIPTIVE REFERENCE

A Lamp with Metallic End Seal	B Lamp with Button Contacts	C Lamp with Ceramic End Seals	D Lamp Screw in Contact
			

Note:**Minimum Order is two (2) lamps****15% discount on quantity 10 or more lamps**