

HI-TEMP IR 5075

Heater Length	Lamp Model (P/N)	Orientation	Quartz Envelope	Rated Watt	Rated Voltage	Average Life (Hr)	Description Reference
2 inch	057550-003	Universal	Clear	1000	120	400	B

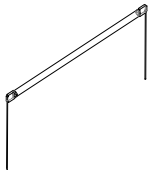

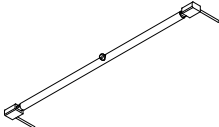

HI-TEMP IR 5090

Heater Length	Lamp Model (P/N)	Orientation	Quartz Envelope	Rated Watt	Rated Voltage	Average Life (Hr)	Description Reference
6 inch	057544-003	Horizontal	Clear	1200	144	5000	A
10 inch	057541-002	Universal	Clear	1000	240	5000	A
10 inch	057544-005	Universal	Clear	2000	240	3000	A
10 inch	057541-010	Universal	Clear	6000	480	1500	A
16 inch	057541-004	Horizontal	Clear	1600	240	5000	A
16 inch	057541-008	Universal	Clear	3200	384	3000	A

HI-TEMP IR 5209

Heater Length	Lamp Model (P/N)	Orientation	Quartz Envelope	Rated Watt	Rated Voltage	Average Life (Hr)	Description Reference
5 inch	103390-002	Universal	Clear	1000	240	5000	C
10 Inch	103390-004	Universal	Clear	2000	240	5000	C
16 Inch	103390-012	Universal	Clear	3000	240	5000	C

LAMP DESCRIPTIVE REFERENCE

A Lamp with Metallic End Seal	B Lamp with Button Contacts	C Lamp with Ceramic End Seals	D Lamp Screw in Contact
			

Note:

Minimum Order is two (2) lamps

15% discount on quantity 10 or more lamps