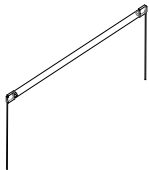

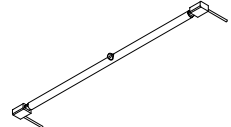



LINE IR Model 5194

| Heater Length | Lamp Model (P/N) | Orientation | Quartz Envelope | Rated Watt | Rated Voltage | Average Life (Hr) | Description Reference |
|---------------|------------------|-------------|-----------------|------------|---------------|-------------------|-----------------------|
| 2 inch | 106587-001 | Universal | Clear | 1000 | 120 | 400 | C |
| 4 inch | 106587-002 | Universal | Clear | 2000 | 120 | 125 | C |
| 5 inch | 103390-002 | Universal | Clear | 1000 | 240 | 5000 | C |
| 10 inch | 103390-004 | Universal | Clear | 2000 | 240 | 5000 | C |
| 16 inch | 103390-012 | Universal | Clear | 3000 | 240 | 5000 | C |
| 25 inch | 103390-008 | Universal | Clear | 5000 | 600 | 5000 | C |
| 38 inch | 103390-010 | Universal | Clear | 3800 | 480 | 5000 | C |

LAMP DESCRIPTIVE REFERENCE

| | | | |
|---|---|--|---|
| <p>A Lamp with Metallic End Seal</p>  | <p>B Lamp with Button Contacts</p>  | <p>C Lamp with Ceramic End Seals</p>  | <p>D Lamp Screw in Contact</p>  |
|---|---|--|---|

Note:

Minimum Order is two (2) lamps

15% discount on quantity 10 or more lamps