

STRIP IR 4185

Heater Length	Lamp Model (P/N)	Orientation	Quartz Envelope	Rated Watt	Rated Voltage	Average Life (Hr)	Description Reference
5 inch	103390-001	Universal	Clear	500	120	5000	C
10 inch	103390-003	Universal	Clear	1000	240	5000	C
16 inch	103390-005	Universal	Clear	1600	240	5000	C
25 inch	103390-007	Universal	Clear	2500	480	5000	C
38 inch	103390-010	Universal	Clear	3800	480	5000	C

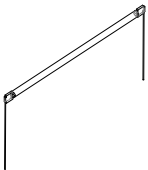

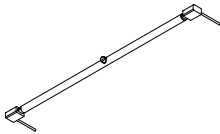

STRIP IR 5306

Heater Length	Lamp Model (P/N)	Orientation	Quartz Envelope	Rated Watt	Rated Voltage	Average Life (Hr)	Description Reference
2 inch	106587-001	Horizontal	Clear	1000	120	400	C
5 inch	103390-002	Universal	Clear	1000	240	5000	C
10 inch	103390-004	Universal	Clear	2000	240	5000	C
16 inch	103390-012	Universal	Clear	3000	240	5000	C
25 inch	103390-008	Universal	Clear	5000	600	5000	C
38 inch	103390-010	Universal	Clear	3800	480	5000	C

STRIP IR 5560

Heater Length	Lamp Model (P/N)	Orientation	Quartz Envelope	Rated Watt	Rated Voltage	Average Life (Hr)	Description Reference
5 inch	103390-001	Universal	Clear	500	120	5000	C
10 Inch	103390-003	Universal	Clear	1000	240	5000	C
16 Inch	103390-005	Universal	Clear	1600	240	5000	C
25 Inch	103390-007	Universal	Clear	2500	480	5000	C
38 Inch	103390-010	Universal	Clear	3800	480	5000	C

LAMP DESCRIPTIVE REFERENCE

A Lamp with Metallic End Seal	B Lamp with Button Contacts	C Lamp with Ceramic End Seals	D Lamp Screw in Contact
			

Note:

Minimum Order is two (2) lamps

15% discount on quantity 10 or more lamps